

E-Band, Active Frequency Multiplier

WR-12/X6/ 55-90GHz /12dBm Output Power

TMAM-055090-0612-12

TURAM-055090061212 is an active X6 frequency multiplier. The multiplier has an input frequency of 9.16 to 15 GHz with a typical input power of +5 dBm and an output frequency of 55 to 90 GHz with a typical output power of +12 dBm. The DC power requirement for the multiplier is +12 V DC/210 mA. The input port configuration is a female SMA connector and the output is a WR-12 waveguide with a UG-387/U-M anti-cocking flange.

Features:

- Output Frequency:55-90GHz
- Output Power :12dBm Typ
- Low power consumption

Applications:

- Frequency Extenders
- THz Systems

电气特性 Electrical Characteristics:

参数 Parameter	Min	Typ	Max	单位 Units
输出频率 Output Frequency	55		90	GHz
输出功率 Output Power		12		dBm
输入频率 Input Frequency	9.16		15	GHz
输入功率 Input Power	3	5	7	dBm
倍频次数 Multiply Factor		6		
谐波 Harmonic		-30		dBc
供电电压 DC Voltage		12		V
供电电流 DC Supply Current		210		mA

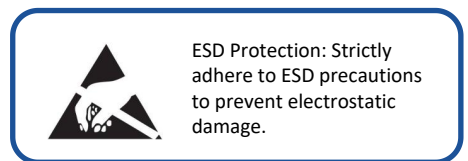
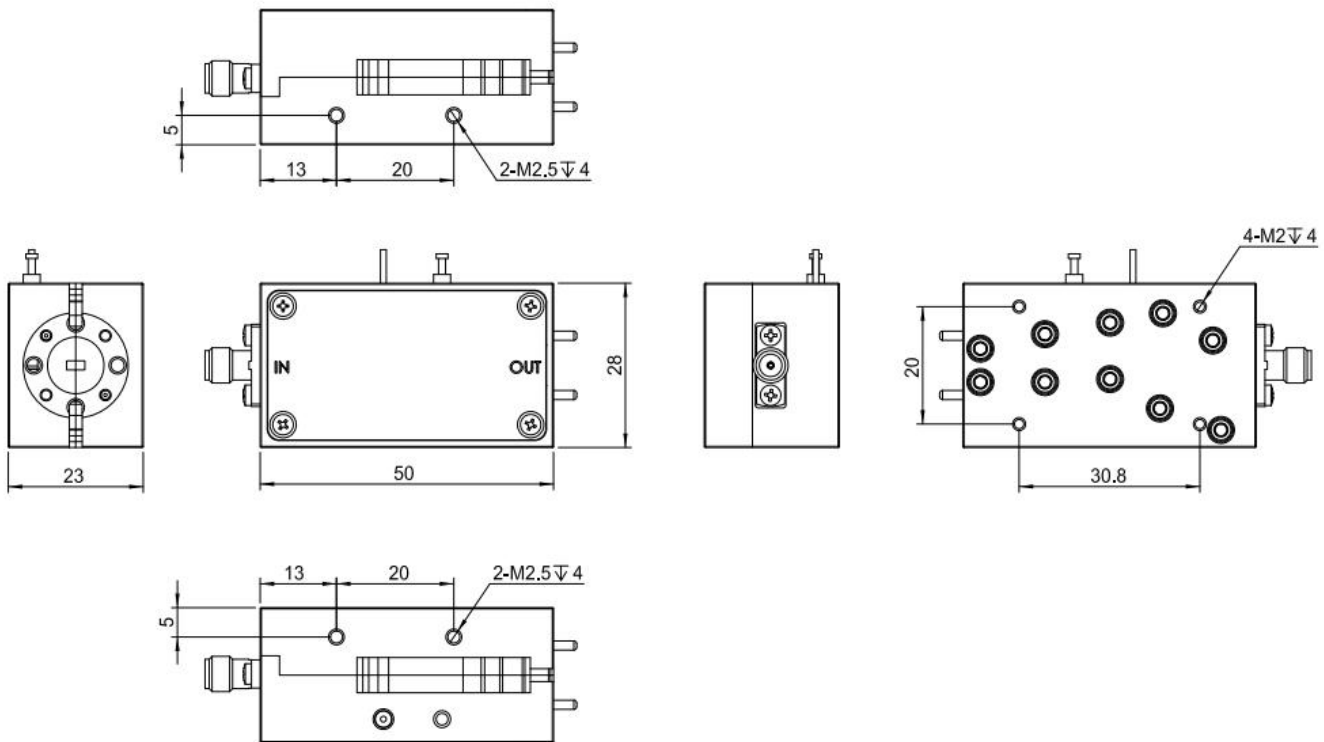
机械特性 Mechanical Specifications:

参数 Parameter	指标 Value	单位 Units
输出接口 Output Connector	WR-12/UG-387/U	

绝对最大值 Absolute Maximum Ratings:

参数 Parameter	指标 Value
供电偏置电压 Supply Bias Voltage	+15 V
输入功率 RF Input Power	+10 dBm
ESD灵敏度 ESD sensitivity (HBm)	Class 0, passed 150V

外形图 Outline Drawing: Unit:mm



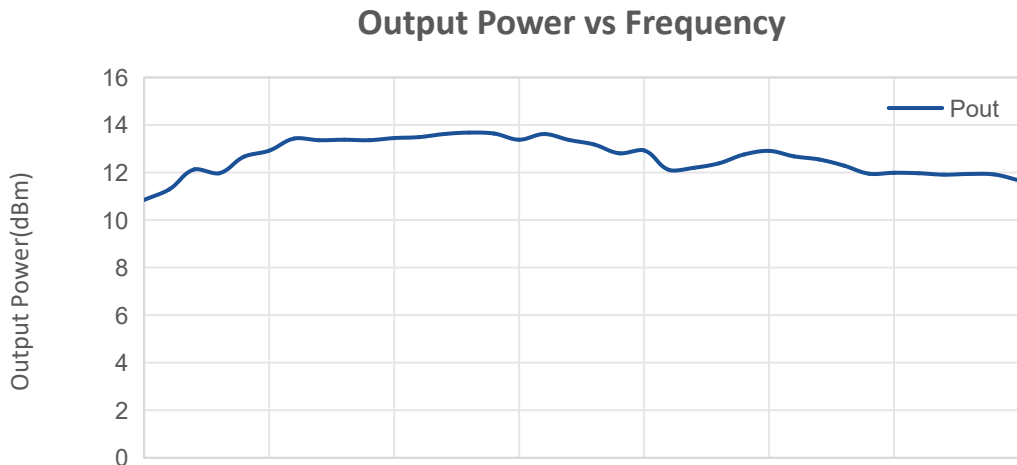
温度环境 Environmental Conditions:

参数 Parameter	Min	Typ	Max	单位 Units
操作温度 Operating Temperature	-10		+65	°C
存储温度 Non-operating Temperature	-45		+85	°C
相对湿度 Relative humidity		95		%
海拔 Altitude	50,000			feet
震动 Shock / Vibration(MIL-STD-810F)	25g rms (15 degree 2KHz) endurance, 1 hour per axis			
冲击 Shock(non operating)	20G for 11msc half sin wave,3 axis both directions			

订货信息 Ordering Information:

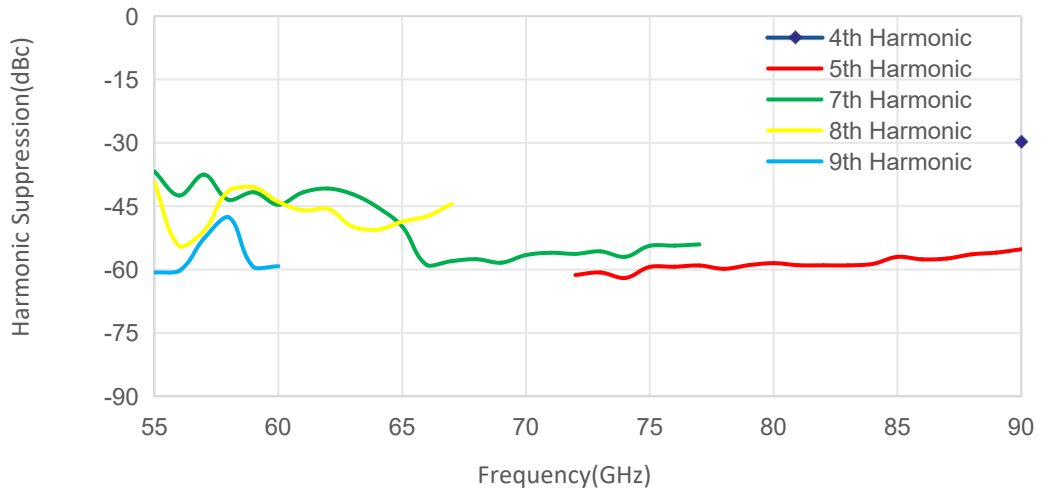
标准型号 Base Number	描述 Description	版本号 Revision
TURAM-055090061212	Active Multiplier,X6,55-90GHz, Output Power:12dBm,WR-12/UG-387/U,SMA Female	Rev.1.1

典型曲线 Typical Performance Data:



典型曲线 Typical Performance Data:

Harmonic Suppression vs Frequency



Note: Above data is for ref only, actual data may vary from unit to unit depending on operating environment and other factors like material lots etc.