

W-Band, Active Frequency Multiplier

WR-10/X8/67-110GHz/17dBm Output Power

TMAM-067110-0817-10

TURAM-067110081710 is an active X8 frequency multiplier. The multiplier has an input frequency of 8.375 to 13.75 GHz with a typical input power of 5 dBm and an output frequency of 67 to 110 GHz with a typical output power of +17 dBm. The DC power requirement for the multiplier is +12 V DC. The input port configuration is a female SMA connector and the output is a WR-10 waveguide with a UG-387/U-M anti-cocking flange.

Features:

- Output Frequency: 67-110GHz
- Output Power: 17dBm Typ
- Low power consumption

Applications:

- Frequency Extenders
- THz Systems

电气特性 Electrical Characteristics:

参数 Parameter	Min	Typ	Max	单位 Units
输出频率 Output Frequency	67		110	GHz
输出功率 Output Power		17		dBm
输入频率 Input Frequency	8.375		13.75	GHz
输入功率 Input Power		5		dBm
倍频次数 Multiply Factor		8		
谐波抑制 Harmonic Suppression		-20		dBc
供电电压 DC Voltage		12		V

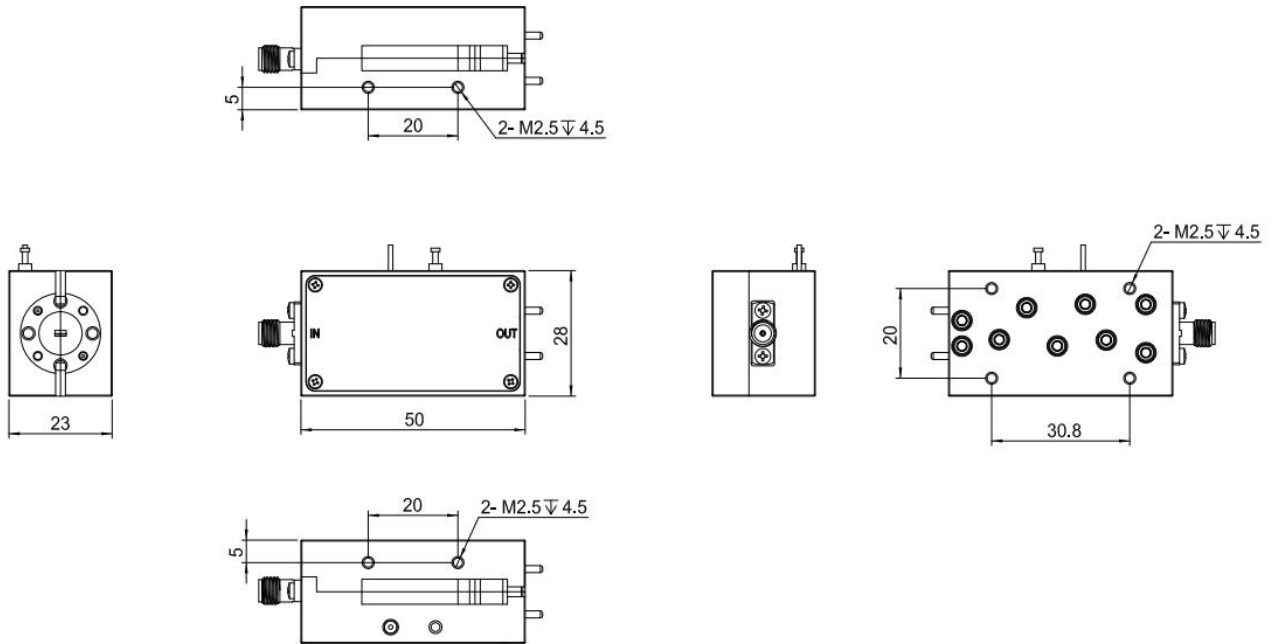
机械特性 Mechanical Specifications:

参数 Parameter	指标 Value	单位 Units
输出接口 Output Connector	WR-10/UG-387/U	
输入接口 Input Connector	SMA Female	
直流偏置 DC Bias	Solder Pin	

绝对最大值 Absolute Maximum Ratings:

参数 Parameter	指标 Value
供电偏置电压 Supply Bias Voltage	+15 V
输入功率 RF Input Power	+10 dBm
ESD灵敏度 ESD sensitivity (HBm)	Class 0, passed 150V

外形图 Outline Drawing: Unit:mm



温度环境 Environmental Conditions:

参数 Parameter	Min	Typ	Max	单位 Units
操作温度 Operating Temperature	-10		+65	°C
存储温度 Non-operating Temperature	-45		+85	°C
相对湿度 Relative humidity		95		%
海拔 Altitude	50,000			feet
震动 Shock / Vibration(MIL-STD-810F)	25g rms (15 degree 2KHz) endurance, 1 hour per axis			
冲击 Shock(non operating)	20G for 11msc half sin wave,3 axis both directions			

订货信息 Ordering Information:

标准型号 Base Number	描述 Description	版本号 Revision
TURAM-067110081710	Active Multiplier,X8,67-110GHz, Output Power:17dBm,WR-10/UG-387/U,SMA Female	Rev.1.1