

Sub-Harmonic Mixer

RF:260-400 GHz/LO:130-200 GHz/IF:DC-40 GHz

TLHM-260400-0240-2.8

TURHM-26040002402.8 is a Sub-Harmonic mixer. The mixer supports the full waveguide band operation for LO frequency from 130 to 200 GHz and RF frequency from 260 to 400 GHz with an extremely broad IF output from DC to 40 GHz. The mixer offers a conversion loss of 11 dB typical@IF=1GHz and LO input power of 10dBm typical.

Features:

- Low LO Power Requirement
- Subharmonic Mixing
- Compact Package

Applications:

- Radar Systems
- Communication Systems
- Test Equipment

电气特性 Electrical Characteristics:

参数 Parameter	Min	Typ	Max	单位 Units
RF频率 RF Frequency	260		400	GHz
LO频率 LO Frequency	130		200	GHz
IF频率 IF Frequency	DC		40	GHz
LO 驱动功率 LO-Input power	8	10	13	dBm
单边带变频损耗 SSB Conversion Loss@IF=1GHz		11		dB
单边带变频损耗 SSB Conversion Loss@LO=135GHz		13		dB

机械特性 Mechanical Specifications:

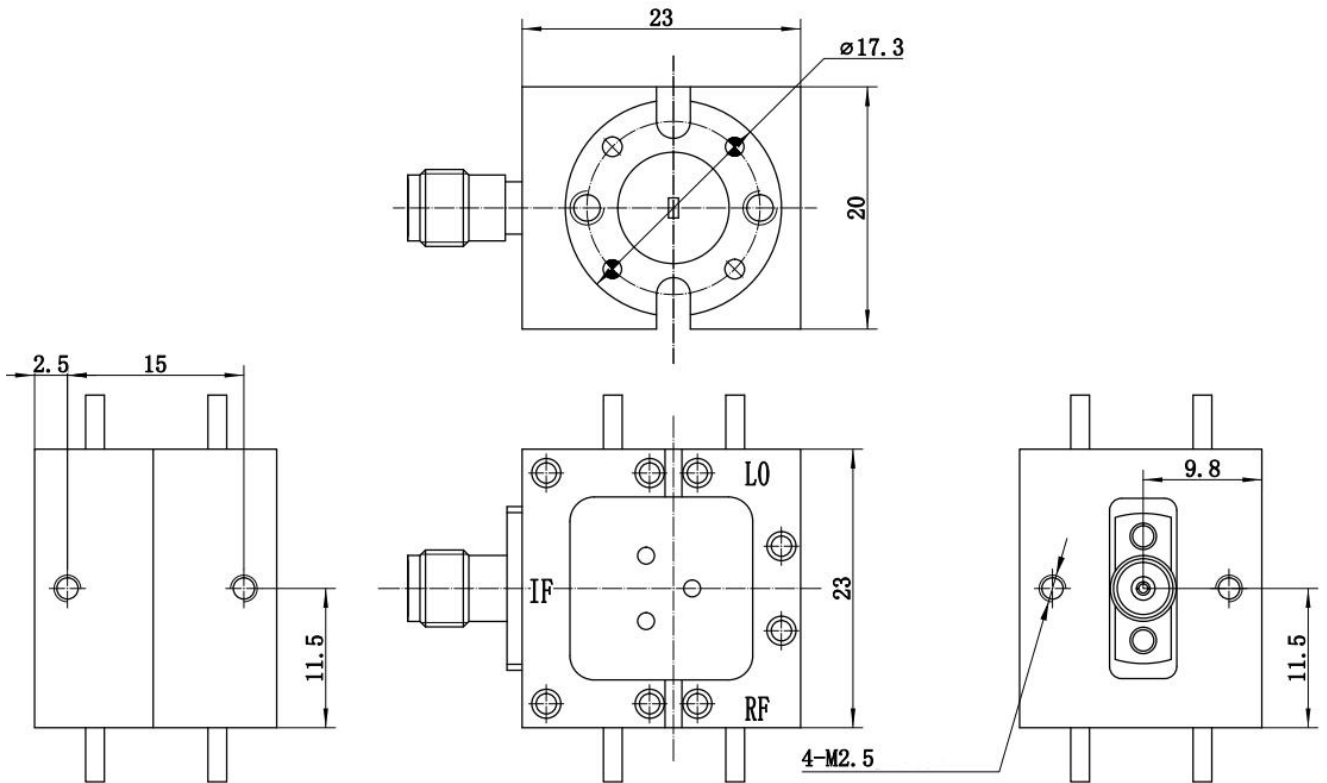
参数 Parameter	指标 Value	单位 Units
RF 接口 RF Connector	WR-2.8/UG-387/U	
LO 接口 LO Connector	WR-5.1/UG-387/U	
IF 接口 IF Connector	2.92mm Female	
尺寸 Size	23*23*20	mm

绝对最大值 Absolute Maximum Ratings:

参数 Parameter	指标 Value
RF 功率 RF Input Power	0 dBm
ESD灵敏度 ESD sensitivity (HBm)	Class 0, passed 150V

外形图 Outline Drawing:

Unit:mm



温度环境 Environmental Conditions:

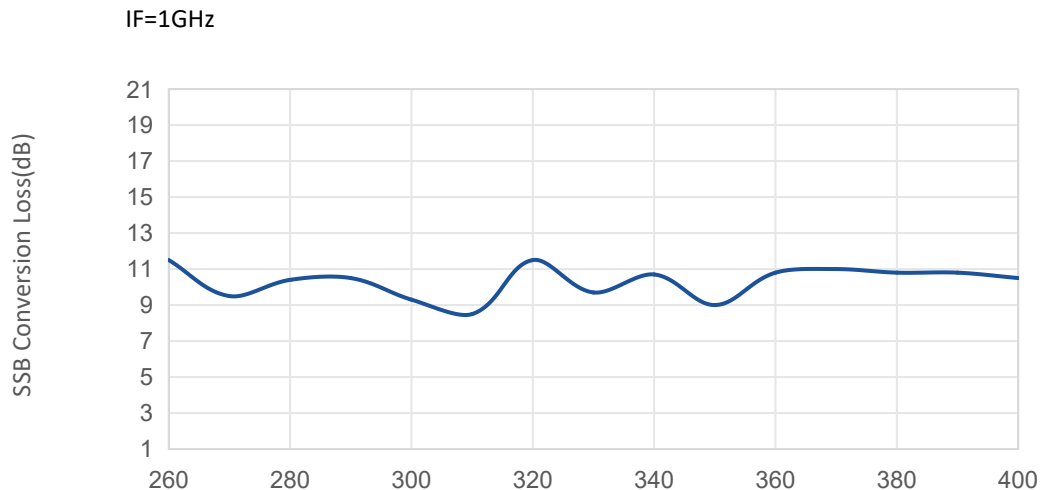
参数 Parameter	Min	Typ	Max	单位 Units
操作温度 Operating Temperature	-10		+65	°C
存储温度 Non-operating Temperature	-45		+85	°C
相对湿度 Relative humidity		95		%
海拔 Altitude	10,000			feet
震动 Shock / Vibration(MIL-STD-810F)	25g rms (15 degree 2KHz) endurance, 1 hour per axis			
冲击 Shock(non operating)	20G for 11msc half sin wave,3 axis both directions			

订货信息 Ordering Information:

标准型号 Base Number	描述 Description	版本号 Revision
TURHM-26040002402.8	Sub-Harmonic Mixer RF:260-400GHz,LO:130-200GHz,IF:DC-40GHz	Rev.1.1

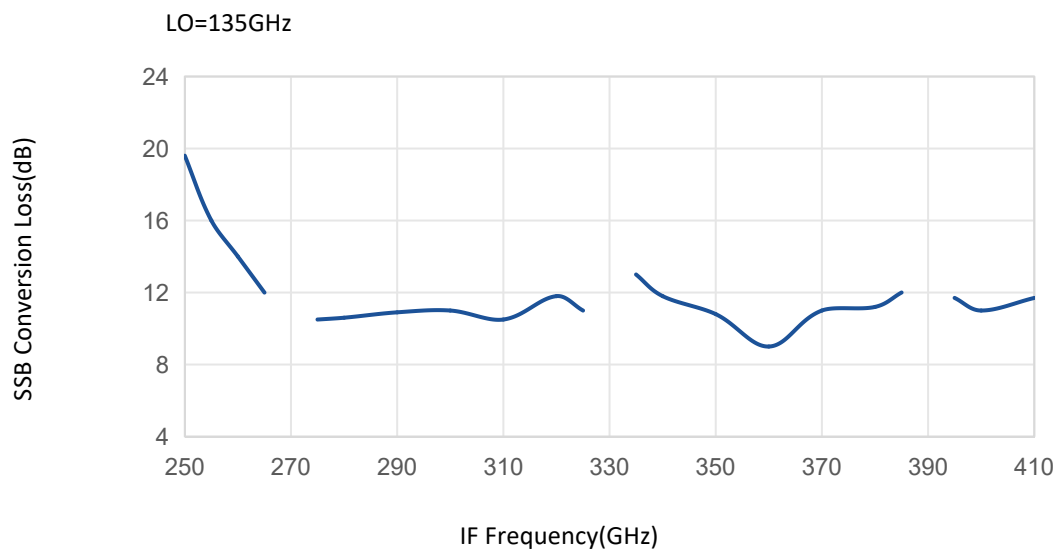
典型曲线 Typical Performance Data:

SSB Conversion Loss vs RF Frequency



典型曲线 Typical Performance Data:

SSB Conversion Loss vs RF Frequency



Note: Above data is for ref only, actual data may vary from unit to unit depending on operating environment and other factors like material lots etc.