

## Power Amplifier

50KHz-20GHz/28dB Gain/20dBm Psat

TLPA50K20G-28-20

TURPA50K20G-2820 is a power amplifier with a typical small signal gain of 28 dB and a nominal Psat of 20 dBm across the frequency range of 50KHz to 20GHz. The DC power requirement for the amplifier is +8 VDC/250 mA. The input and output port configuration offers coax adapter structure with SMA female.

### Features:

- Frequency range: 50KHz-20GHz
- Gain: 28dB Typ
- Output Power Psat: 20dBm Typ
- Good Power and Gain Flatness
- 50 Ohm Matched Input / Output

### Applications:

- Cellular
- PCN
- GSM
- ISM
- Lab Test

## 电气特性 Electrical Characteristics:

参数 Parameter	Min	Typ	Max	单位 Units
频率范围 Frequency range	50KHz-20GHz			
小信号增益 Small Signal Gain		28		dB
增益平坦度 Gain Flatness			±1.5	dB
饱和输出功率 Output Psat	18.5	20		dBm
噪声系数 Noise Figure		3		dB
输入驻波 Input VSWR		2		:1
输出驻波 Output VSWR		2		:1
直流电压 DC Voltage		8		V DC
直流电流 DC Supply Current		250		mA
阻抗 Impedance	50			Ohms

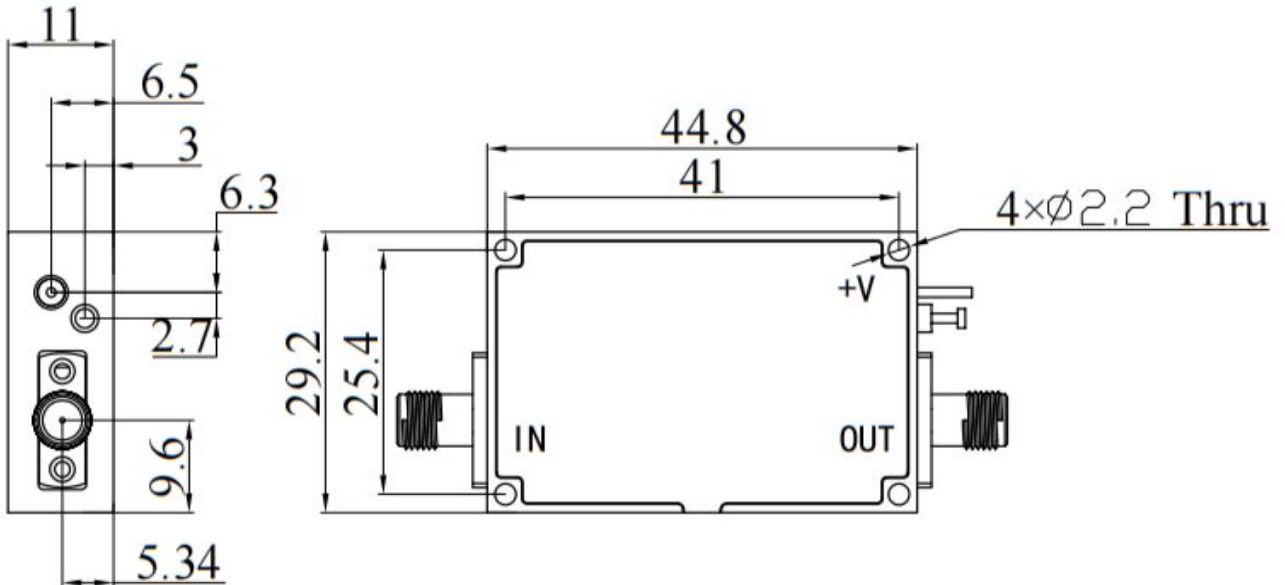
## 机械特性 Mechanical Specifications:

参数 Parameter	指标 Value	单位 Units
输入/输出接口 Input /Output Connector	SMA Female/SMA Female	
直流偏置 DC Bias	Solder Pin	
尺寸 Size	44.8*29.2*11	mm

## 绝对最大值 Absolute Maximum Ratings:

参数 Parameter	指标 Value
供电偏置电压 Supply Bias Voltage	+10 V
输入功率 RF Input Power	+12 dBm
ESD灵敏度 ESD sensitivity (HBm)	Class 0, passed 150V

## 外形图 Outline Drawing: Unit:mm



**\*\*\*Heat Sink Required During Operation**

## 温度环境 Environmental Conditions:

参数 Parameter	Min	Typ	Max	单位 Units
操作温度 Operating Temperature*	-40		+60	°C
存储温度 Non-operating Temperature*	-50		+70	°C
相对湿度 Relative humidity		95		%
海拔 Altitude	10,000			feet
震动 Shock / Vibration(MIL-STD-810F)	25g rms (15 degree 2KHz) endurance, 1 hour per axis			
冲击 Shock(non operating)	20G for 11msc half sin wave,3 axis both directions			

\*Note: For a wider temperature range, please consult the manufacturer.

## 订货信息 Ordering Information:

标准型号 Base Number	描述 Description	版本号 Revision
TURPA50K20G-2820	Power amplifier 50KHz-20GHz, Gain:28dB,Psat:20dBm,+8V DC,Without Heatsink	Rev.1.1
TURPA50K20G-2820 HS	Power amplifier 50KHz-20GHz, Gain:28dB,Psat:20dBm,+8V DC,With Heatsink	Rev.1.1

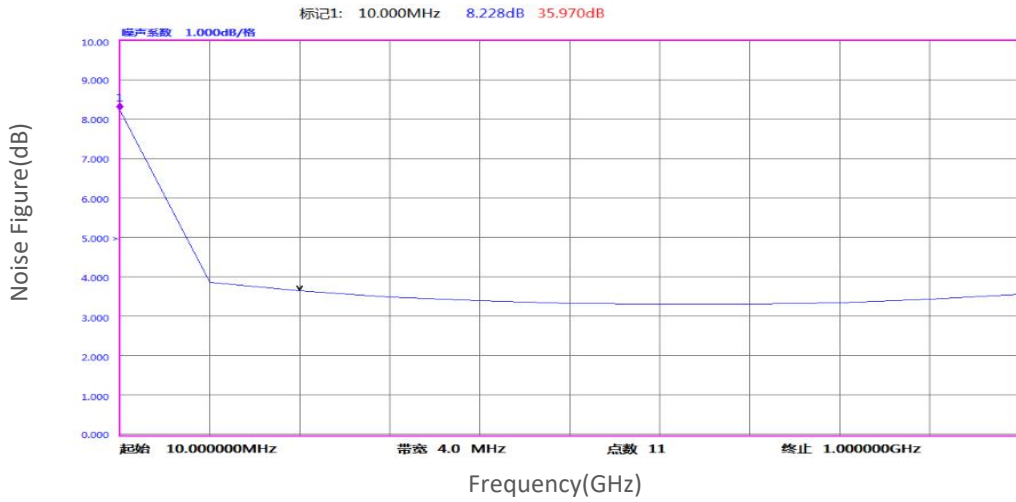
## 典型曲线 Typical Performance Data:

### VSWR&Gain vs Frequency

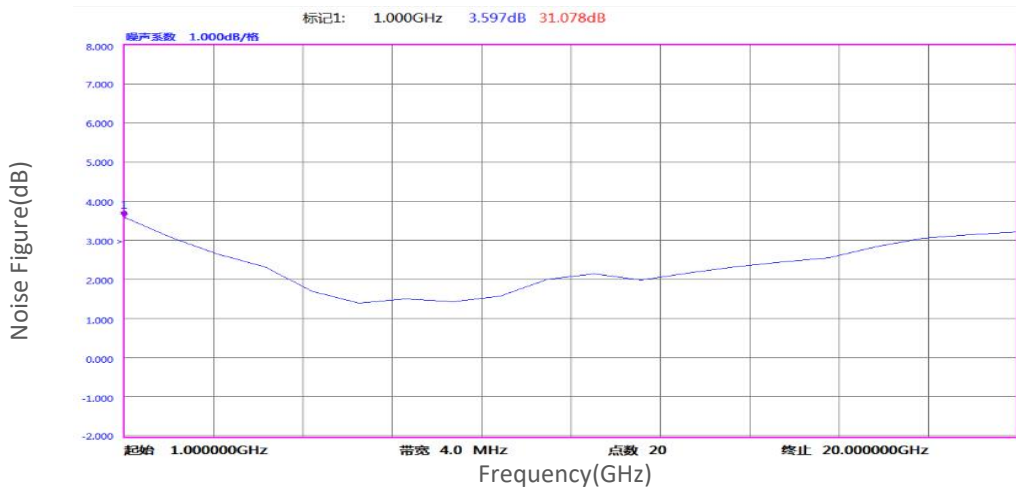
VSWR&Gain

## 典型曲线 Typical Performance Data:

### Noise Figure vs Frequency



### Noise Figure vs Frequency



### P1dB vs Frequency

P1dB(dBm)