

TURLA0.01G67G-2550

TURLA0.01G67G-2550 is a low noise amplifier with a typical small signal gain of 25 dB and a nominal noise figure of 5.0 dB across the frequency range of 0.01 to 67 GHz. The DC power requirement for the amplifier is +12 V DC/300 mA. The input and output port configuration offers coax adapter structure with 1.85mm female.

Features:

- Frequency range: 0.01-67GHz
- Gain: 25dB Typ
- Noise Figure: 5.0dB Typ
- Good Power and Gain Flatness
- 50 Ohm Matched Input / Output

Applications:

- Communication systems

电气特性 Electrical Characteristics:

参数 Parameter	Min	Typ	Max	单位 Units
频率范围 Frequency range	0.01		67	GHz
小信号增益 Small Signal Gain		25		dB
增益平坦度 Gain Flatness		±3		dB
噪声系数 Noise Figure		5.0		dB
线性输出功率 Output P1dB		15		dBm
输出三阶交调 Output IP3		25		dBm
输入驻波 Input VSWR		1.8	2.5	:1
输出驻波 Output VSWR		1.8	2.5	:1
直流电压 DC Voltage		+12		V DC
直流电流 DC Supply Current		300		mA
阻抗 Impedance		50		Ohms

机械特性 Mechanical Specifications:

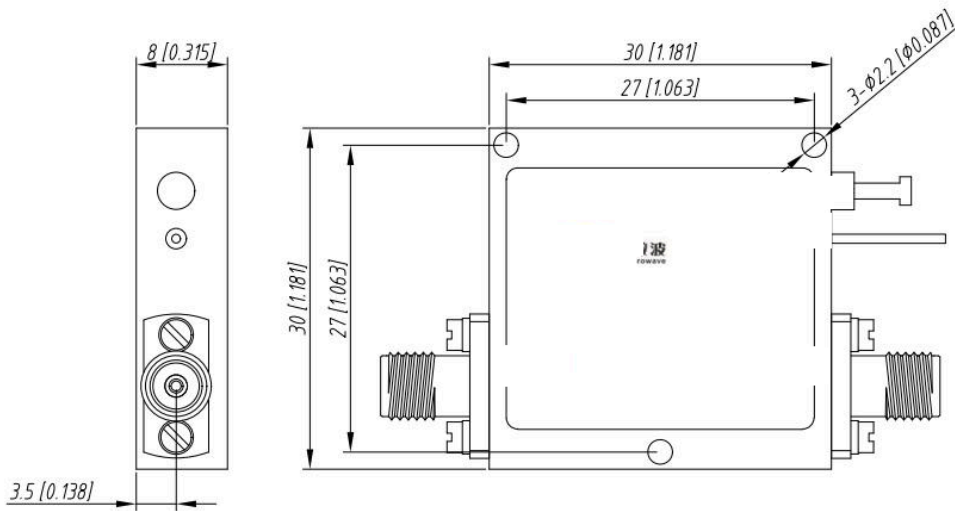
参数 Parameter	指标 Value	单位 Units
输入/输出接口 Input /Output Connector	1.85mm Female/1.85mm Female	
直流偏置 DC Bias	Solder Pin	

绝对最大值 Absolute Maximum Ratings:

参数 Parameter	指标 Value
供电偏置电压 Supply Bias Voltage	TBD
输入功率 RF Input Power	0 dBm
ESD灵敏度 ESD sensitivity (HBm)	Class 0, passed 150V

外形图 Outline Drawing:

Unit:mm





ESD Protection: Strictly adhere to ESD precautions to prevent electrostatic damage.

温度环境 Environmental Conditions:

参数 Parameter	Min	Typ	Max	单位 Units
操作温度 Operating Temperature	-45		+75	°C
存储温度 Non-operating Temperature	-55		+125	°C
相对湿度 Relative humidity		95		%
海拔 Altitude		50,000		feet
震动 Shock / Vibration(MIL-STD-810F)	25g rms (15 degree 2KHz) endurance, 1 hour per axis			

订货信息 Ordering Information:

标准型号 Base Number	描述 Description	版本号 Revision
TURLA0.01G67G-2550	Low Noise Amplifier, 0.01-67GHz, Noise Figure:5.0dB, Gain:25dB,P1dB:15dBm,+12V DC,Without Heatsink	Rev.1.1
TURLA0.01G67G-2550 HS	Low Noise Amplifier, 0.01-67GHz, Noise Figure:5.0dB, Gain:25dB,P1dB:15dBm,+12V DC,With Heatsink	Rev.1.1