

TURLA1G2G-4013

TURLA1G2G-4013 is a low noise amplifier with a minimum small signal gain of 40 dB and a maximum noise figure of 1.3 dB across the frequency range of 1 to 2 GHz. The DC power requirement for the amplifier is +8 V DC/160 mA. The input and output port configuration offers coax adapter structure with SMA female.

Features:

- Frequency range: 1-2GHz
- Gain: 40dB Min
- Noise Figure: 1.3dB Max
- Good Power and Gain Flatness
- 50 Ohm Matched Input / Output

Applications:

- Communication systems

电气特性 Electrical Characteristics:

参数 Parameter	Min	Typ	Max	单位 Units
频率范围 Frequency range	1		2	GHz
小信号增益 Small Signal Gain	40	45		dB
噪声系数 Noise Figure		0.9	1.3	dB
线性输出功率 Output P1dB	20			dBm
饱和输出功率 Output Psat		21		dBm
输入驻波 Input VSWR		1.6		:1
输出驻波 Output VSWR		1.8		:1
直流电压 DC Voltage	+5	+8	+12	V DC
直流电流 DC Supply Current		160		mA
阻抗 Impedance		50		Ohms

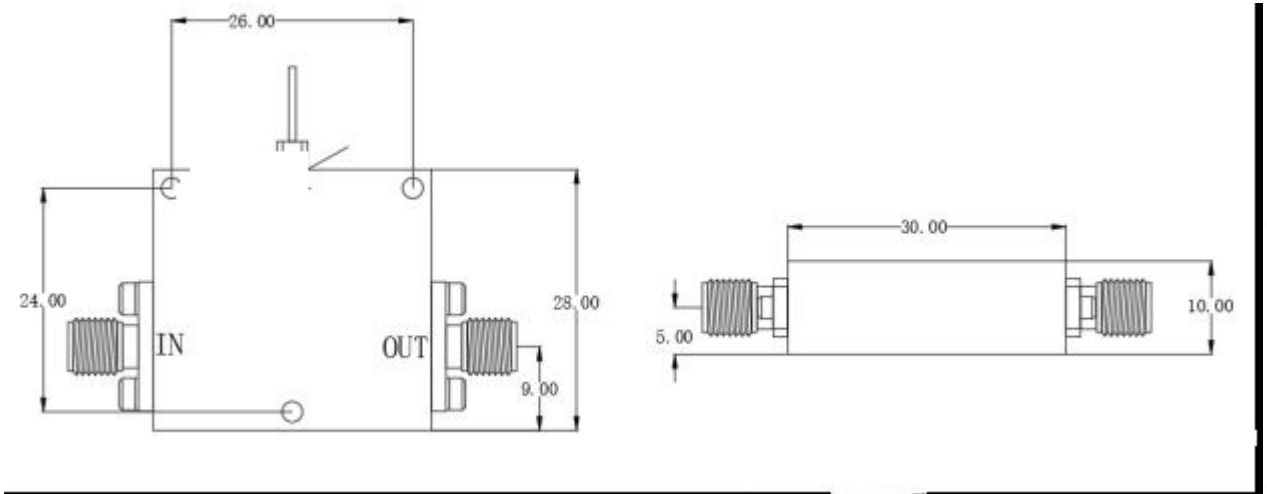
机械特性 Mechanical Specifications:


参数 Parameter	指标 Value	单位 Units
输入/输出接口 Input /Output Connector	SMA Female/SMA Female	
直流偏置 DC Bias	Solder Pin	

绝对最大值 Absolute Maximum Ratings:

参数 Parameter	指标 Value
供电偏置电压 Supply Bias Voltage	12 V
输入功率 RF Input Power	5 dBm
ESD灵敏度 ESD sensitivity (HBm)	Class 0, passed 150V

外形图 Outline Drawing: Unit:mm





ESD Protection: Strictly adhere to ESD precautions to prevent electrostatic damage.

温度环境 Environmental Conditions:

参数 Parameter	Min	Typ	Max	单位 Units
操作温度 Operating Temperature	-45		+85	°C
存储温度 Non-operating Temperature	-55		+125	°C
相对湿度 Relative humidity		95		%
海拔 Altitude		50,000		feet
震动 Shock / Vibration(MIL-STD-810F)	25g rms (15 degree 2KHz) endurance, 1 hour per axis			

订货信息 Ordering Information:

标准型号 Base Number	描述 Description	版本号 Revision
TURLA1G2G-4013	Low Noise Amplifier, 1-2GHz, Noise Figure:1.3dB, Gain: 40dB,P1dB:20dBm,+8V DC,Without Heatsink	Rev.1.1
TURLA1G2G-4013 HS	Low Noise Amplifier, 1-2GHz, Noise Figure:1.3dB, Gain: 40dB,P1dB:20dBm,+8V DC,With Heatsink	Rev.1.1